

## Adapters

### QFP64 - TET

Target CPU package: QFP64  
 Body size: 10 mm x 10 mm  
 Pitch: 0.5 mm  
 POD target layout: T\_BGA208

Can be used with:

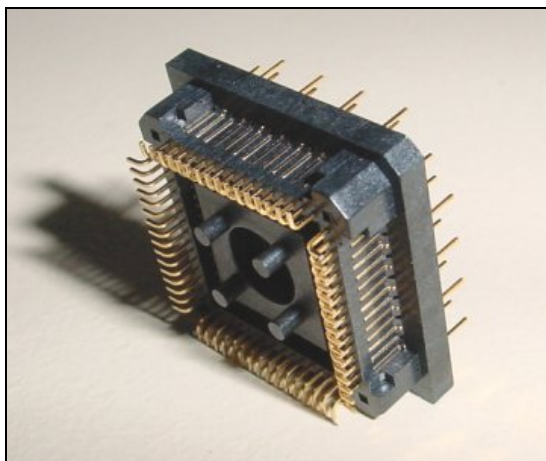
- MC9S12XEP100 Active PRO POD

This adapter is used when MC9S12XEP100 POD emulates MC9S12XSxxx devices in the QFP64 package.

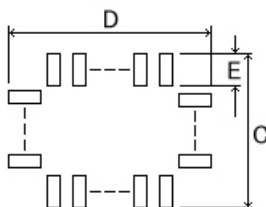
**Note that adapter solutions stated in the document can be used only with listed PODs. Disregarding this warning may result in hardware failure of the target and the emulation system.**

#### ► Available Adapter Parts (by ordering code):

- **IA64ATQ-SOLDER**

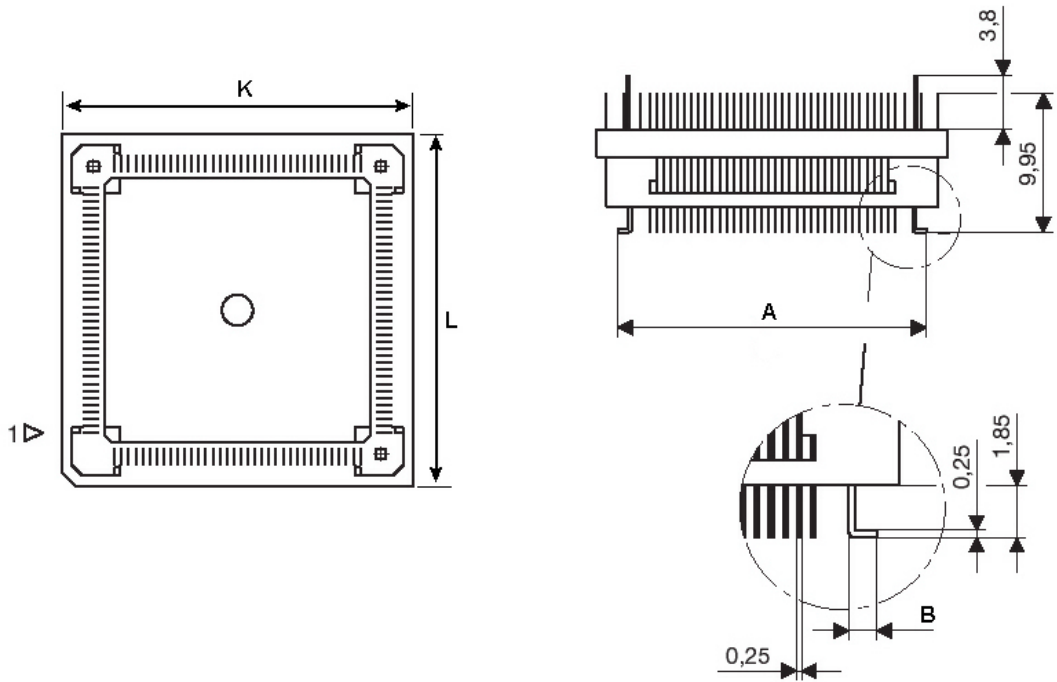


Solder part, which is being soldered to the target.

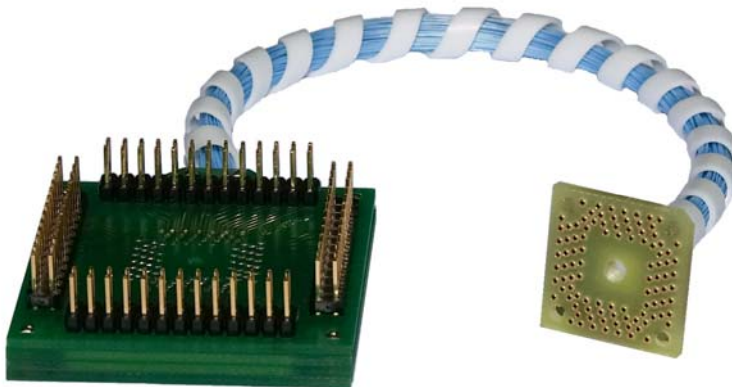


(Unit: mm)						
A	B	C	D	E	K	L
12	1.505	13.0	13.0	2.3	14	14

*Recommended (by TET) PCB footprint size*



- **IA208P64ATQ-W-S**



The IA208P64ATQ-W-S represents flexible connection between the POD and the target. Above picture does not show exactly the IA208P64ATQ-W-S but IA100TQ-WIRE which looks exactly the same considering that it has different pin count and pin layout.

- **IA64ATQ-CPU**



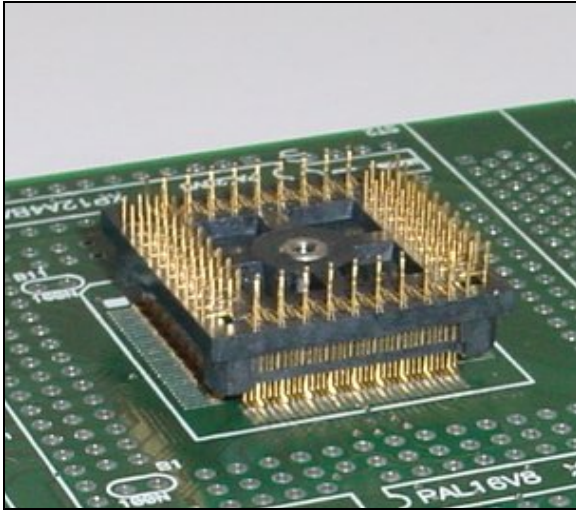
The IA64ATQ-CPU is used to connect the CPU directly to the target.

## Connecting the CPU directly to the target

---

The CPU can be connected directly to the target using the IA64ATQ-SOLDER in combination with the IA64ATQ-CPU. This solution is very suitable for an ultimate test.

**Step 1:** Solder the IA64ATQ-SOLDER to the target PCB.



**Step 2:** Insert the CPU into the IA64ATQ-CPU, which then connects to the IA64ATQ-SOLDER.