

Adapters

QFP48

Target CPU package: QFP48
 Body size: 7mm x 7mm
 Pitch: 0.5 mm
 POD target layout: T_QFP64

Can be used with:

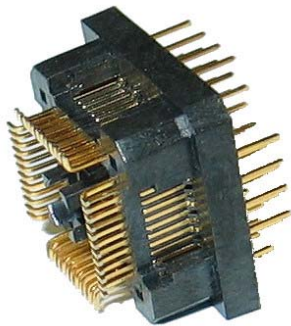
- 68HC08GZ POD

This adapter is used when the POD emulates the target CPU in the QFP48 package.

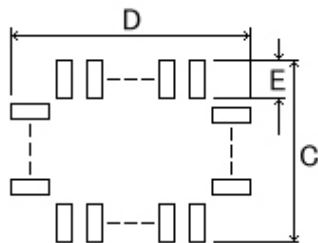
Described adapter parts can be used only with listed PODs. Disregarding this warning may result in hardware failure of the target and the emulation system.

► Required Adapter Parts (by ordering code):

- **IA48TQ-SOLDER**

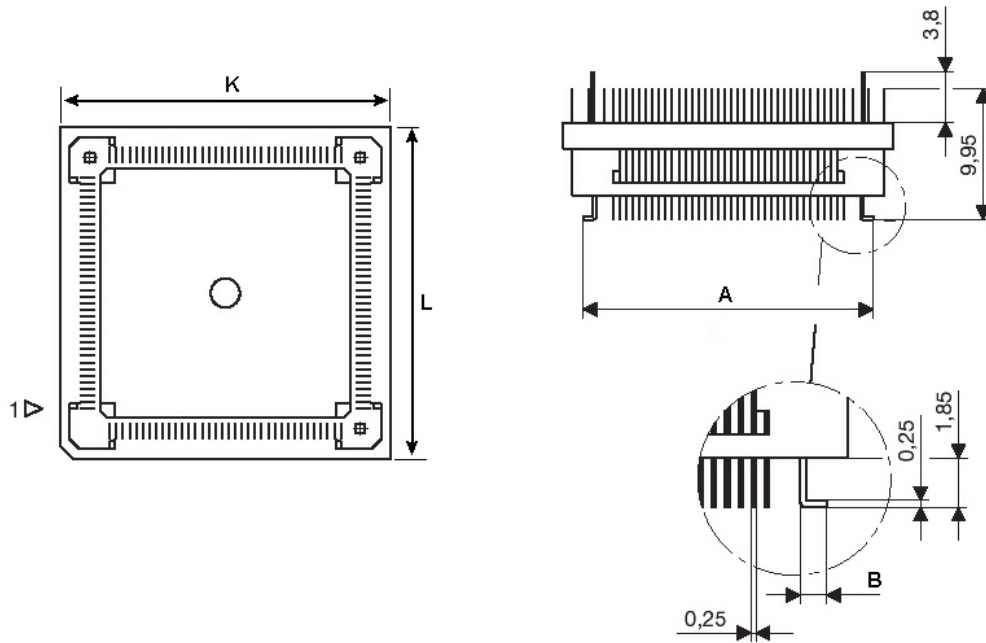


Solder part, which is soldered down to the target.



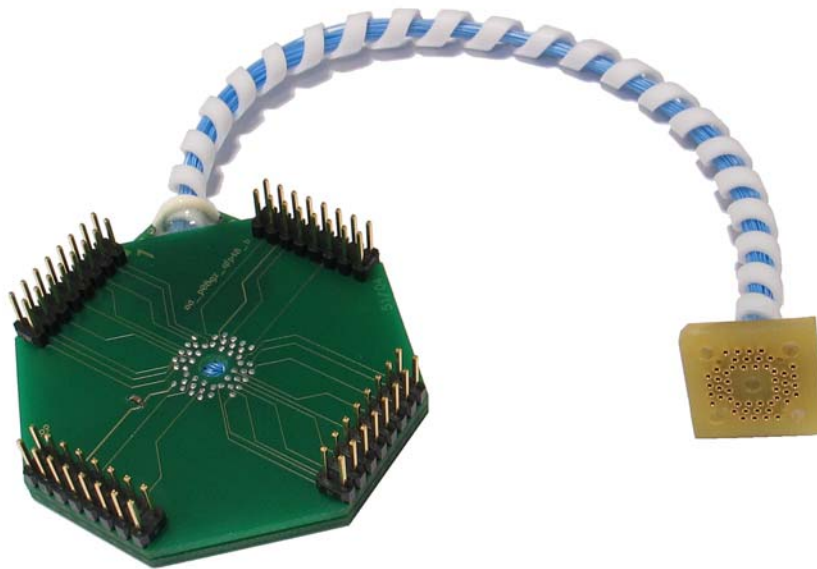
(Unit: mm)						
A	B	C	D	E	K	L
9	1.005	10.0	10.0	1.75	12.0	12.0

Recommended (by TET) PCB footprint size



IA48TQ-SOLDER dimensions

- **IA64P48GZ-WIRE**



IA64P48GZ-WIRE represents flexible connection between the POD and the target.

► Assembly

While assembling the adapter and connecting the POD to the target, pay attention to pin 1 to prevent any damages of the hardware, which may result from incorrect assembly.

1. First, connect IA64P48GZ-WIRE to the POD.
2. Next, solder down the IA48TQ-SOLDER to the target PCB
3. Finally, connect the POD to the soldered IA48TQ-SOLDER.

Notes: